

WAGON type Sgmmns(s) 40'

4 – axle container platform 40'

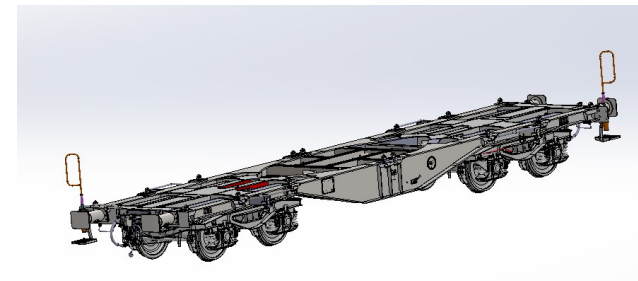


General information

Platform wagon Sgmmns(s) 40' for transport of 20', 30', 40' containers and swap bodies. The wagon is equipped with Y25Ls(s)(d)1-bogie and brake system from Knorr Bremse. The wagon is designed according to the requirements of UIC 571-4 for flat container wagons.

The wagon is suitable for transportation of:

1./ ISO containers of length 20', 30' and 40' classified in UIC 592-2



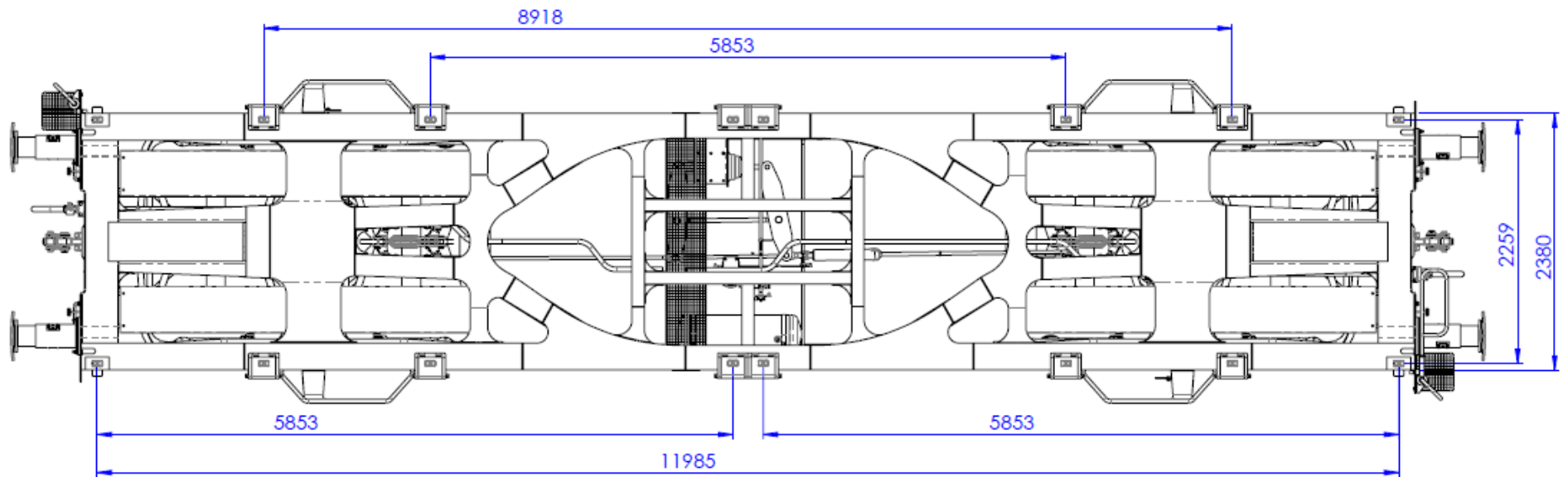
Technical specification

| | | | |
|---------------------------------------|---------------|---------------------------------------|---------|
| Track Gauge | 1 435 mm | Length over buffers | 13,54 m |
| Tara | 16,5 t +/- 2% | Loading length | 12,30 m |
| Max. loading weight | 90,0 t | Distance between pivots | 8000 mm |
| Loading surface height from rail head | 1 155 mm | Min. radius of the curve in the track | 75 m |
| Type of bogie | Y25Ls(s)(d) | Underframe length | 12,30 m |

Payload table

| | A | B1 | B2 | C | D2 | D3 | D4 |
|-----|------|------|------|------|------|------|----|
| S | 47,5 | 51,0 | 55,5 | 65,5 | 70,1 | 73,5 | |
| 120 | 0,0 | | | | | | |

WAGON type Sgmmns(s) 40'



WAGON type Sgmmns(s) 40'

Loading scheme

